



Model A Ford Tech Report

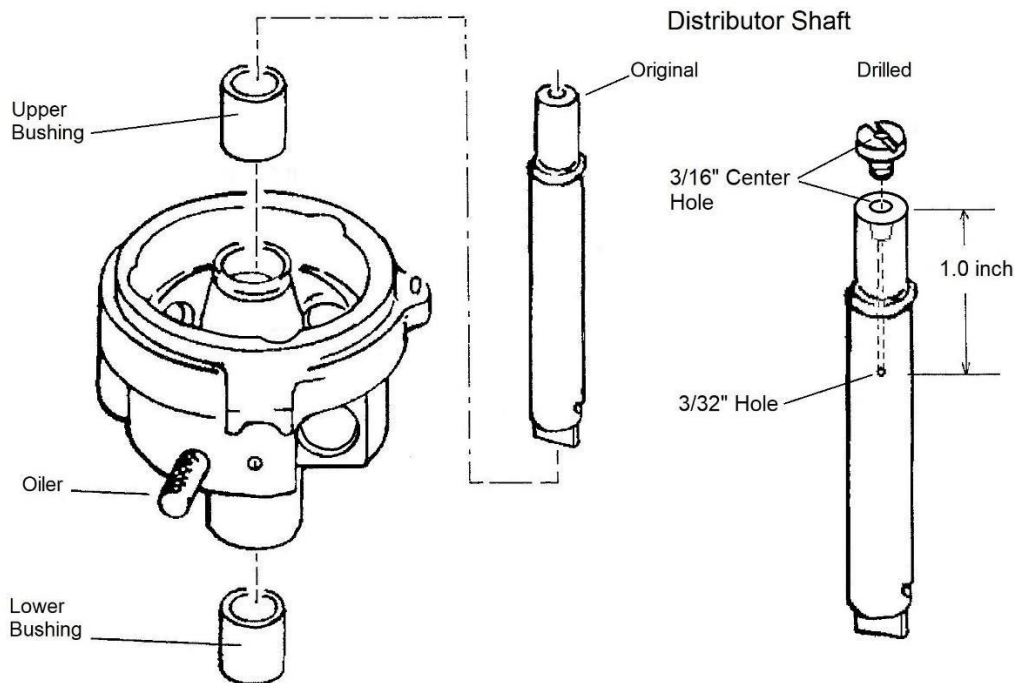


By Willie Priaulx

July 2023

Distributor Shaft Lubrication

Ford recommends lubricating the Distributor Shaft every 500 miles by adding a few drops of oil at the spring-loaded oiler on the side of the distributor. This effectively oils the lower bushing only. Proper lubrication of the upper bushing is a problem however. The distributor shaft and cam screw should be drilled to get oil to the upper bushing. You may order already drilled shafts from the parts suppliers or do it yourself.



Drill a 3/16" hole down the center of the shaft 1" deep, and a 3/32" hole through the side. Drill a 3/16" hole through the center of the cam screw. Drilling the shaft is not difficult as the drill centers itself for the 3/16" hole.

If it squeaks it's asking for attention - Willie